

# KIMBO

## PRODUCT GUIDE



Klimbo is now carbon neutral,  
[learn more here!](#)

# Table of Content

Klimbo's Presentation.....	3
The Environment: Our Priority.....	4
Retractable Steps	
◦ The Klimbo -K01.....	5
◦ The Klimbo Step -K02 .....	7
Removable Step	
◦ The Klimbo Stair -K03.....	9
Product Comparison.....	11
Few locations.....	12
Testimonies.....	13



# K L I M B O

## HELP CHILDREN TO WASH THEIR HANDS

At one time or another, parents, grandparents or caregivers have all experienced the difficult task of having to lift a small child to reach a sink that was clearly not designed with youngsters in mind.

The result is an awkward contortion that is just as unpleasant for the adult as it is for the child. Imagine getting lifted, then pinned against a sink while trying to wash your hands and, in so doing, spraying the counter, the mirror and your clothing all because of your unfortunate, uncomfortable position.

This experience is lived through every day by countless families in public restrooms. Ironically, even in places highly frequented by young people such as libraries, museums, sports facilities, or schools, children can generally not reach the sink, the soap dispenser or the hand dryer.

This is where the ingenious Klimbo comes in!

Totally ergonomic in design, Klimbo, is a self-retracting step stool, that ensures children or young customers have the ability to reach the sink safely, independently and without splashing surfaces. As a business owner with a Klimbo product in your facilities, you will clearly demonstrate an interest in the well being of your family clientele as well as actively promote healthy hygiene habits among little ones.

Klimbo is the result of a major design effort that required the collaboration of several professionals. The outcome is a high- performance patented product that fully meets the expectations of its customers and users.

Klimbo is being marketed by three partners whose complementary talents in project management, marketing and logistics engineering help spread the product far and wide. In addition to being a mainstay of the Canadian market, this product is now present in public bathrooms from Brisbane in Australia to the majestic ski mountains of Colorado in the United-States.

**D L R**

Boite postale: 48514, succ.  
Outremont Outremont (QC)  
CANADA H2V 4T3

questions@klimbo.co  
1-888-205-1168

**[www.klimbo.co](http://www.klimbo.co)**



## Our Partnership

The offsetting of greenhouse gases generated by the production and distribution of our products has become obvious within our team.

For us, this is a non-negotiable paradigm embedded in our processes and for which we are responsible. Despite all Klimbo's products are manufactured locally, we continually work to reduce our environmental footprint by maximizing local operations and minimizing and optimizing our transportation processes.

The carbon footprint of our products and their transportation is therefore systematically offset by reforestation activities in the Quebec boreal forest and other investments that promote the environment.

We have chosen the organization Carbone Boréal, affiliated with the University of Quebec at Chicoutimi for its rigor and reputation.  
(<https://carboneboreal.uqac.ca/a-propos/>)

At the request of the customer, it is possible to provide the carbon offset certificate issued by Carbone Boréal for the specific project with regard to the number of units delivered.





# KLIMBO

HELPS YOUR KIDS WASH THEIR HANDS



The self-retracting step KLIMBO responds to the little ones' need for independence by giving them easy access to lavatories in public restrooms.

Klimbo demonstrates a concern for young families, promotes hand hygiene and, consequently, public health.

Klimbo represents a clear advantage, both budgetary and organizational, compared to lowered sinks by ensuring an optimal use of the premises by all users, while showing an interest for a family-based clientele.

## PLACES WHERE KLIMBO IS IN DEMAND

- Institutional buildings
  - public libraries
  - multipurpose centres
  - schools
  - daycares
  - sports and recreational facilities
  - museums
  - citizen services
  - stadiums
- Shopping centres
- Movie theatres
- Rest stops and service stations
- Hospitals and clinics
- Hotels
- Amusement and aquatic parks, and zoos
- Restaurants
- Airports, train stations, terminals



ELEGANT

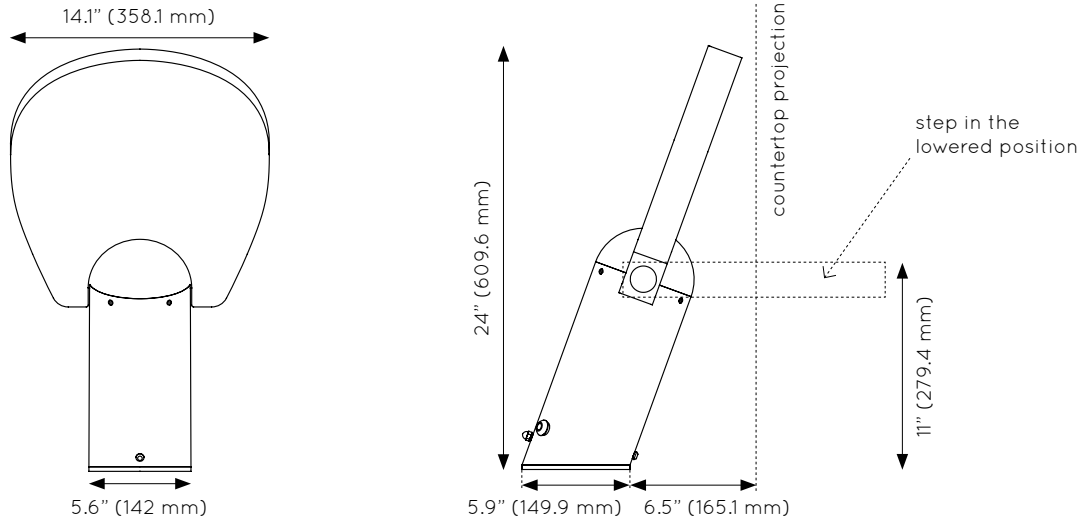


STURDY  
AND SAFE



EASY TO  
MAINTAIN

TECHNICAL SPECIFICATIONS



Materials	
Exterior components	Aluminium T6061 • Axalta polyester thermosetting powder coating • Imbedded adhesive tread, made from recycled tires
Interior components	Steel and aluminum coated with white lithium grease containing PTFE
Load-bearing parts	Tempered steel
Anchors	Fast and easy installation in floor concrete slab • Three steel masonry anchors are provided • Installation guide also available online
Hardware	Blackened 18-8 stainless steel • By special order, available in 316 stainless steel for chlorine-heavy environments like pool changing rooms
Stickers	Signaletic on the step edge • 4" x 6.4" (102 mm x 163 mm) <b>signaletic panels</b> provided in three colours: white, black and brushed metal
Additional information	
Load bearing capacity	370 kg (815 lb)
Warranty	Five years against manufacturing defects and against failure of the retraction mechanism
Customization	By special order, Klimbo can be adapted to the customer's brand and serve as a medium to communicate with its clientele • Available in 190 <b>RAL classic</b> colours and in a wide range of metallic finishes from <b>Axalta Coating Systems</b>
CAD et Revit files	Available on the website <a href="http://www.klimbo.co/en-specification">www.klimbo.co/en-specification</a>
Patent	Patent pending in all territories
Logistical data	
Unit weight	9 kg (20 lb)
Packaged unit	10 kg (22 lb)
Shipping box size	26" x 15" x 7" (710 mm x 380 mm x 180 mm)

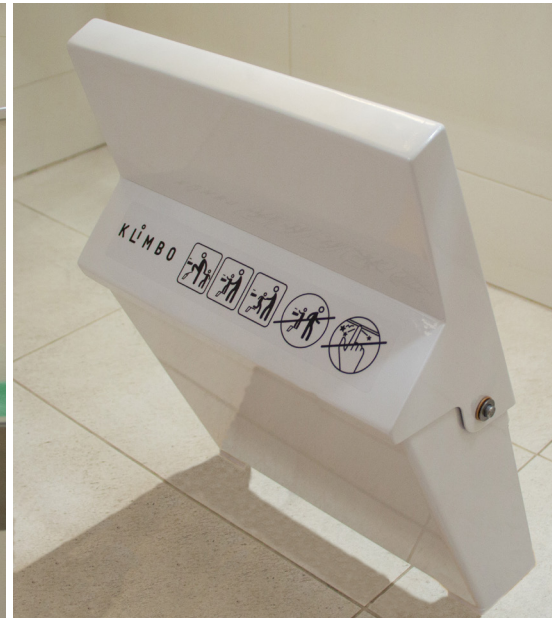
Klimbo is manufactured by

DLR inc.  
 P.O. Box 39026, Station Saint-Alexandre  
 Montreal (Qc) H3B 0B2 | Canada  
 questions@klimbo.co | 1 888 205-1168  
[www.klimbo.co](http://www.klimbo.co)

Dealer / distributor

# KLIMBO

HELPS YOUR KIDS WASH THEIR HANDS



**KLIMBO-STEP** is the second retractable step of Klimbo's product line that responds to children's need for independence by allowing them to easily reach the lavatories in public restrooms without hindering other users.

Affordable and easy and quick to install, Klimbo-Step is ideal for upgrading existing facilities.

Klimbo-Step caters to the needs of young families, promotes healthy hygiene and enhances customer experience.

## PLACES WHERE KLIMBO IS IN DEMAND

- Institutional buildings
  - public libraries
  - multipurpose centres
  - schools
  - daycares
  - sports and recreational facilities
  - museums
  - citizen services
  - stadiums
- Shopping centres
- Movie theatres
- Rest stops and service stations
- Hospitals and clinics
- Hotels
- Amusement parks and zoos
- Restaurants
- Airports, train stations, terminals



**AFFORDABLE**

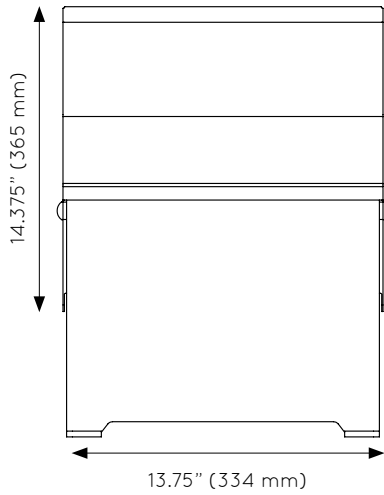


**STURDY  
AND SAFE**

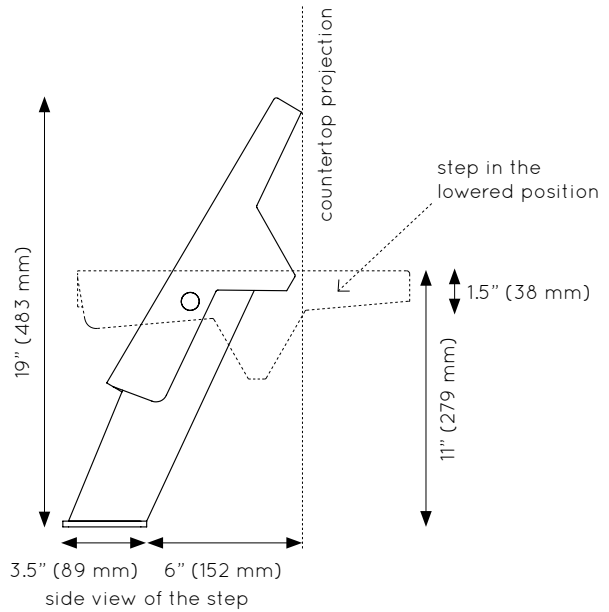


**EASY TO  
MAINTAIN**

TECHNICAL SPECIFICATIONS



front view of the step in the raised position



side view of the step

**Materials**

<b>Components</b>	Steel 1018 • Adhesive tread, made from recycled tires
<b>Finish</b>	Axalta polyester-based thermosetting powder coating and epoxy primer specifically formulated for use on steel surfaces
<b>Anchors</b>	Quick and easy installation in the concrete floor slab • Four 3/8" x 3 3/4" anchors with drilling template • Installation guide also available online
<b>Decals</b>	Clear PVC logo under step • A 4" x 6.4" (102 mm x 163 mm) sign to be placed at eye level

**Additional information**

<b>Load capacity</b>	370 kg (815 lb)
<b>Warranty</b>	Three years against manufacturing defects
<b>Brand customization</b>	Klimbo can be customized to the clients' brand by special order and serve as a medium for conveying messages to their customers • Available in 190 <b>RAL classic</b> colours and in a wide range of metallic finishes from <b>Axalta Coating Systems</b>
<b>CAD and Revit files</b>	Available from Klimbo's website: <a href="http://www.klimbo.co/en-specification">www.klimbo.co/en-specification</a>

**Product and packaging**

<b>Unit weight</b>	10 kg (22 lb)
<b>Packaged unit weight</b>	10.7 kg (23.5 lb)
<b>Shipping box size</b>	22" x 16" x 8" (560 mm x 405 mm x 203 mm)

**Klimbo is manufactured by**

DLR inc.  
 P.O. Box 48514, succ. Outremont  
 Outremont (Qc) H2V 4T3 | Canada  
 questions@klimbo.co | 1 888 205-1168  
[www.klimbo.co](http://www.klimbo.co)

**Dealer / distributor**



# K L I M B O

HELPS YOUR KIDS WASH THEIR HANDS



**KLIMBO-STAIR**, the removable and versatile step stool of the Klimbo product line, responds to children's need for independence by allowing them to easily reach the lavatories and hand dryers in public restrooms as well as other accessories that are difficult to reach because of their small size.

Affordable, mobile and light, Klimbo-Stair caters to the needs of young families and promotes healthy hygiene.

Klimbo-Stair can be conveniently stored under surfaces and easily moved as needed. Its wide, non-slip surfaces make it the ideal auxiliary step stool for commercial and institutional applications.

## PLACES WHERE KLIMBO IS IN DEMAND

- Institutional buildings
  - public libraries
  - multipurpose centres
  - schools
  - daycares
  - sports and recreational facilities
  - museums
  - citizen services
  - stadiums
- Shopping centres
- Movie theatres
- Rest stops and service stations
- Hospitals and clinics
- Hotels
- Amusement parks and zoos
- Restaurants
- Airports, train stations, terminals



**AFFORDABLE**

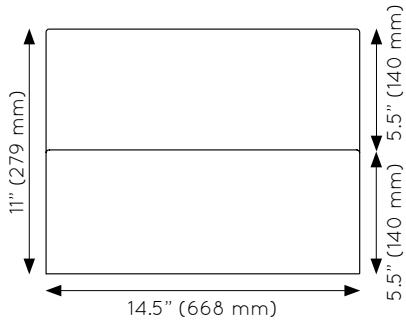


**STURDY  
AND SAFE**

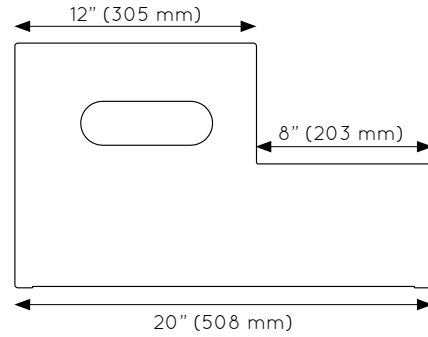


**EASY TO  
MAINTAIN**


TECHNICAL SPECIFICATIONS



step stool front view



step stool side view

Materials	
Construction	T6061 aluminium
Finish	Axalta polyester-based thermosetting powder coating
Non-slip surfaces	Non-slip rubber made from recycled materials
Decals	Clear PVC Logo, slogan and signs
Additional information	
Load capacity	410 kg (900 lb)
Warranty	Three years against manufacturing defects
Brand customization 	Klimbo can be customized to the clients' brand by special order and serve as a medium for conveying messages to their customers • Available in 190 <b>RAL classic</b> colours and in a wide range of metallic finishes from <b>Axalta Coating Systems</b>
CAD and Revit files	Available from Klimbo's website: <a href="http://www.klimbo.co/en-specification">www.klimbo.co/en-specification</a>
Product and packaging	
Unit weight	7.25 kg (16 lb)
Packaged unit weight	7.75 kg (17 lb)
Shipping box size	22" x 12" x 16" (560 mm x 305 mm x 406 mm)

**Klimbo is manufactured by**

DLR inc.  
 P.O. Box 48514, succ. Outremont  
 Outremont (Qc) H2V 4T3 | Canada  
 questions@klimbo.co | 1 888 205-1168  
[www.klimbo.co](http://www.klimbo.co)

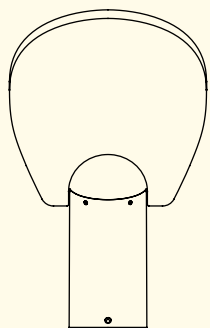
**Dealer / distributor**

# K L I M B O

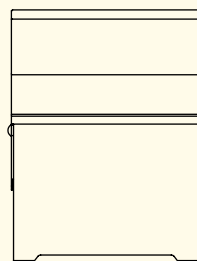
HELPS YOUR KIDS WASH THEIR HANDS

## COMPARATIVE CHART OF KLIMBO MODELS\*

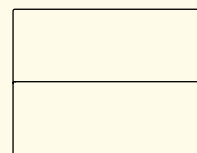
K01



K02



K03



Model	KLIMBO™	KLIMBO-STEP™	KLIMBO-STAIR™
Fabrication	Made in Canada	Made in Canada	Made in Canada
Retraction mechanism	Mechanical movement (will not fatigue)	Counterweight	None
Max. weight rating	405 kg (tested)	More than 300 kg	More than 300 kg
Material	Aluminium T6061 (rust free)	Steel	Steel
Finishes	Powder coat	Powder coat + epoxy primer	Powder coat + epoxy primer
Colors	All RAL colors and Axalta Coating System finishes	All RAL colors and Axalta Coating System finishes	All RAL colors and Axalta Coating System finishes
Anchors	Concealed	Stainless steel	None
Life of mechanism	Tested to 120 000 cycles**	Counterweight can't fail	N/A
Warranty	5 years	3 years	3 years
Installation	20 minutes	15 minutes with metal jig	N/A
Price range	\$\$\$	\$\$	\$

DLR inc.  
P.O. Box48514, succ. Outremont  
Outremont (Qc) H2V 4T3 | Canada  
questions@klimbo.co | 1 888 205-1168

Published on 22/01/01 — content subject to change without notice

\*This chart is prepared by DLR inc., maker of Klimbo steps line, to highlight the characteristics of their products.

\*\*Klimbo K01 has been independently tested and its mechanism showed no signs of fatigue after more than 120 000 cycles with a weight of 36 kg (80 lb).

# Organisations Trusting Us



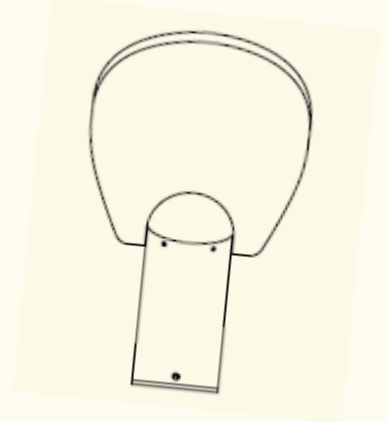
# K L I M B O

## Helps children wash their hands

"They are a serious upgrade from loose step stools under a sink for small children. "

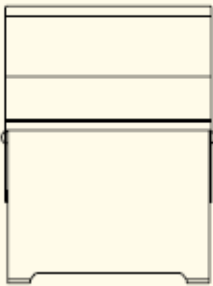
*-Aspen Snowmass*

"The product looks great. Will be sure to reach out when the next project comes up."



"A very practical and very sturdy product that meets our maintenance standards. We are very satisfied with its performance!"

*-Montreal International Airport YUL*



"My 4 year-old loved it! He kept making up excuses to go back and wash his hands."

"It's great, people know right away what it's for."

*-Blainville*

"The stake holders liked the ingenuity of the Klimbo step."

*-Cineplex*

"Low maintenance! This is an easy add-in for anyone who values enhancing the family's experience ."

*-Société du Parc Jean Drapeau*

