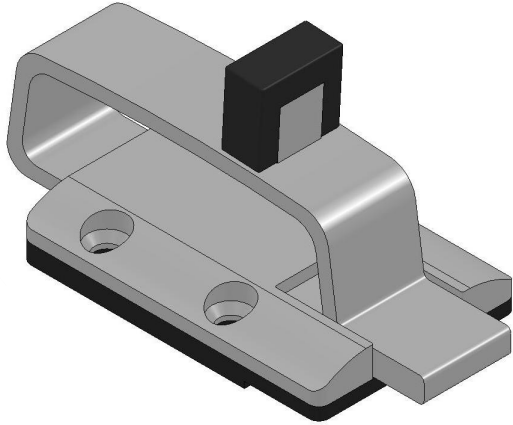




TECHNICAL DATA
K-900-100
SLIDE LATCH



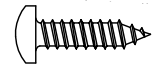
Part	Description	Qty
900-102	Plastic backplate	1
900-103	Cover plate	1
900-105	Latch with bumper	1
900-107	Rubber bumper	2
99310-034	Tamperproof stainless steel screw #10 x 3/4"	4
900-106	Spring	1



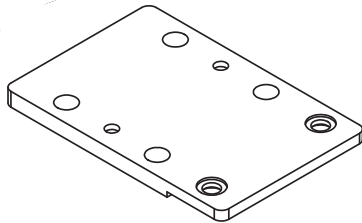
Unidirectional pattern finish

Parts:

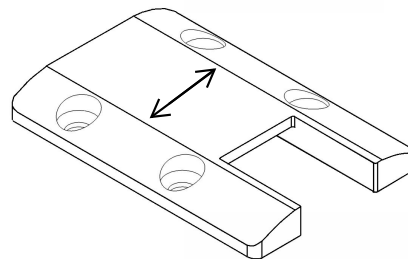
SATIN FINISH



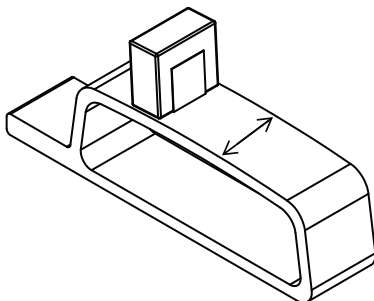
99310-034
TORK T27



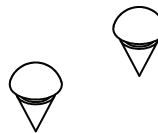
900-102



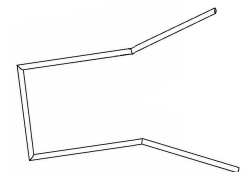
900-103



900-105



900-107



900-106