



- Recommended for very high traffic areas.
- Standard Model 2921-S0000H (high impact ABS - silver, hard wired) *Bradex***
- Standard Model 2921-S00CEH* - European Export (220-240 volt, 4.3 amps, 50/60 hz - silver, hard wired)**

*G-mark certification only applies to 2921-S00CEH model

Product Materials

2921-S Cover: high impact ABS; Silver. Antimicrobial agent applied to inhibit the growth of mold, mildew and fungus.

Adjustable Motor: thermally protected universal brush type motor operating at 35,000 RPM. High/Low setting options.

Filter: HEPA filter with odor neutralizing tablet reduces contaminants in the air when hand drying.

Sensor Operation: electronic infrared sensor. Automatic shut off after 20 seconds.

Water Reservoir: collects water to prevent water from going on the floor.

LED Display: When activated "smiley" icon is displayed followed by patterns of rotating lights and all LED's blinking 3 times. LED 2 flashes red when HEPA filter required replacement. LED 3 flashes red when water collection tank needs emptying.

Installation

Verify all rough-in dimensions prior to installation. Hand dryers require a dedicated circuit and GFI Circuit protection is recommended. It is recommended that 1 of the 4 mounting anchors is fastened into a wall stud or support.

Operation

Place hands into cavity of dryer. Slowly move hands up and down through air stream until dry. Dryer will stop after hands are removed from cavity.

ADA Compliant

- Consult local and national accessibility codes for proper installation guidelines.
- Conformity and compliance to local and national codes is the responsibility of the installer.



Guide Specification

Surface-mounted ADA-compliant hand dryer shall have an antimicrobial, high impact ABS cover in silver (2921-S). Hand dryer shall have a High/Low adjustable setting motor. Motor shall have a power consumption of 1000 watts powered by a thermally-protected universal brush operating at 35,000 RPM. Dryer shall operate at 76 dB while delivering 85 CFM of air and 335 MPH velocity (29,480 LFM). 110-120 volt dryer shall have a consumption of 10 amps. 220-240 volt dryer shall have a consumption of 4.3 amps.

Overall dimensions: 26¼"H x 13"W x 9¼"D (667mm x 330mm x 235mm)
Weight: 19.5 lb (8.9 kg)

Product Specifications**

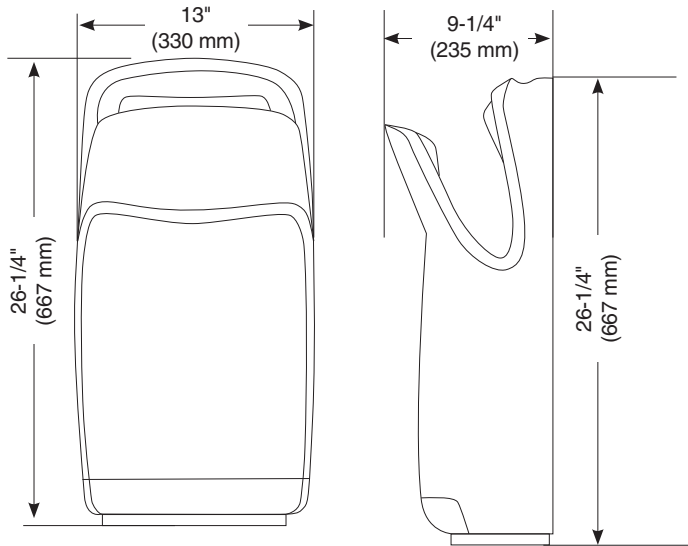
Voltage:	110–120 V	Consumption:	10 A
Nominal power:	1000 W	RPM:	35,000
Airflow:	85 CFM	Airspeed:	29,480 LFM
Noise level:	76 dB	Insulation:	Double-Insulated
Frequency:	60 Hz	Certificates:	UL 507 / CSA C22.2 (No. 68) / GMark
Drying time:	10–12 seconds	Mounting:	Surface. ADA-compliant
Protection level:	IP33		

**Electrical specifications listed are for model 2921-S00000H only.

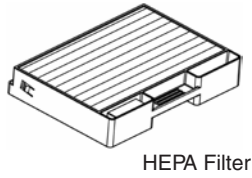
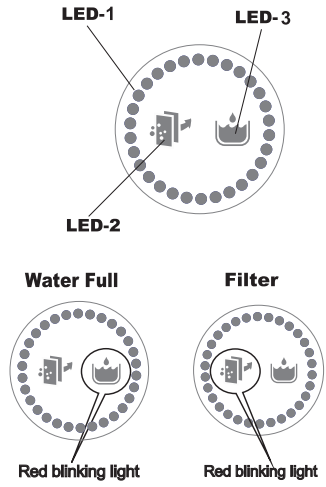
Orders composed of products indicated as *Bradex* will be available to ship in three days after receipt of order at the factory. There is no pricing penalty for this service from Bradley.



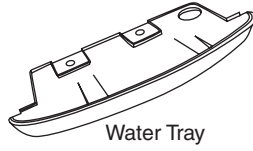
Dimensions



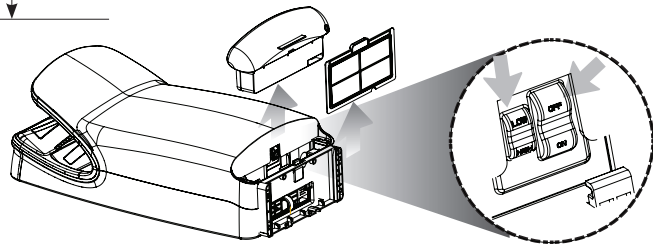
LED Display



HEPA Filter



Water Tray



Orders composed of products indicated as **Bradex**® will be available to ship in three days after receipt of order at the factory. There is no pricing penalty for this service from Bradley.