



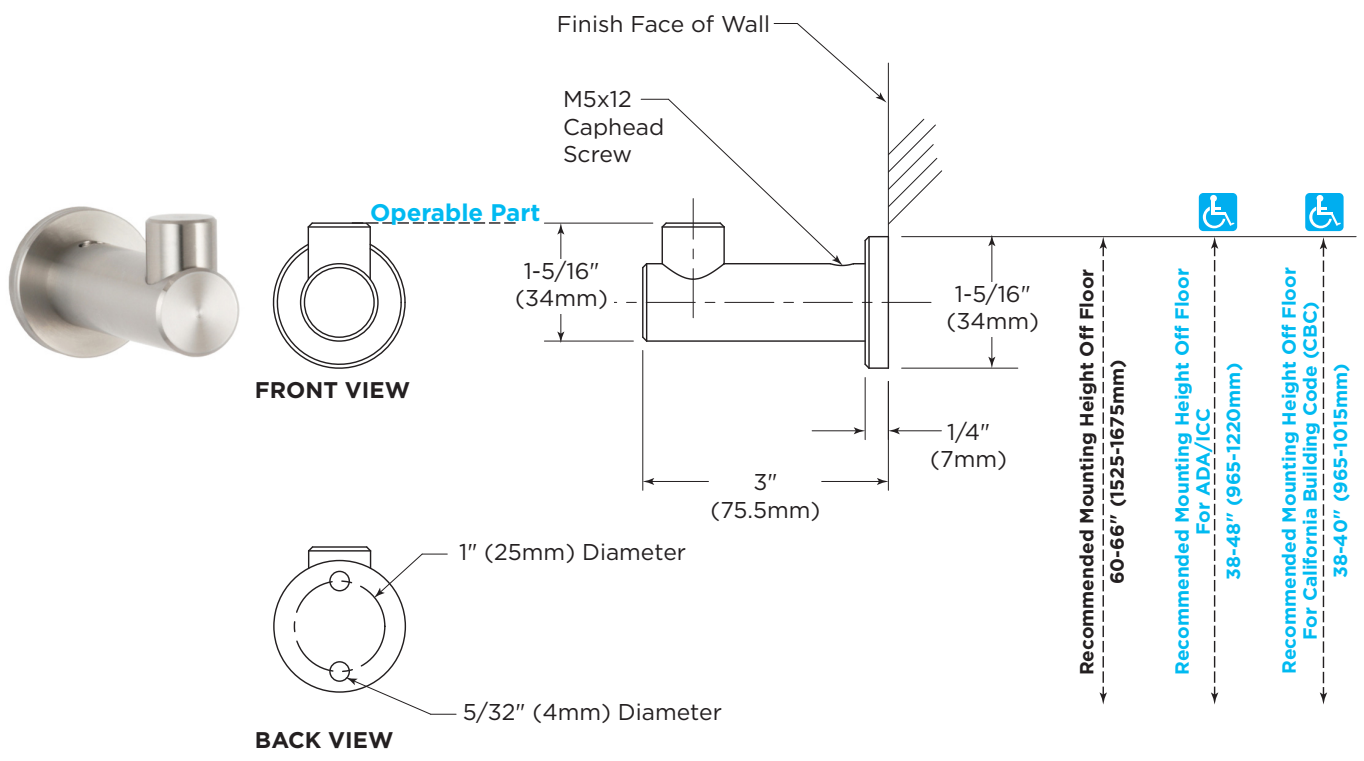
Technical Data

fino collection
COAT HOOK

B-9542

Specify Finish Required

- Stainless Steel, Satin Finish
- Matte Black Finish, please use model no. B-9542.MBLK



ADA/CBC Installation Guidance

***Operable Part:** Top of hook pin.

Maximum mounting height of Operable Part:
 ADA/ICC: 48" above finished floor (AFF)
 CBC: 40" above finished floor (AFF)

*For more information regarding operable parts, please refer to Bobrick Planning Guide for Accessible Restrooms, page 9.

MATERIAL:

- Post** — Type 303, solid machined stainless steel in satin finish, 3/4" (20mm) diameter, 2-31/32" (76mm) long. Post is fastened to the flange via set screw, securing the flange cover.
- Hook Pin** — Type 303, solid machined stainless steel in satin finish, 5/8" (16mm) diameter integrated into the post.
- Flange Cover** — Type 303, solid machined stainless steel in satin finish, 1/16" (2mm) thick, 1-5/16" (34mm) diameter.
- Concealed Mounting Flange** — Type 303, solid machined stainless steel, 5/32" (4mm) thick, 1-5/16" (34mm) diameter, equipped with two mounting holes for attachment to wall.

STRENGTH:

Bobrick coat hook B-9542 can support loads of up to 150lbs. (68kg.) if properly installed.

continued . . .

5-Year Limited Warranty — In addition to Bobrick's one-year guarantee, Bobrick extends a limited 5-year warranty from the date of purchase on all parts for model B-9542. This warranty is limited to the repair or exchange of defective parts at the option of Bobrick and is only extended to the original owner of the installed unit against defects in factory workmanship or material under normal use and service.

SAFETY WARNING:

COAT HOOK IS NO STRONGER THAN THE ANCHORS AND WALLS TO WHICH THEY ARE ATTACHED AND, THEREFORE, MUST BE FIRMLY SECURED IN ORDER TO SUPPORT THE LOADS FOR WHICH THEY ARE INTENDED. TO AVOID POTENTIAL INJURY, THE BUILDING OWNER OR MAINTENANCE PERSONNEL SHOULD REMOVE THE COAT HOOK FROM SERVICE IF THE COAT HOOK IS NOT ADEQUATELY SECURED TO WALL.

INSTALLATION:

For plaster or dry wall construction, provide concealed backing to comply with local building codes, then secure unit with sheet-metal screws (not furnished). For other wall surfaces, provide fiber plugs or expansion shields for use with sheet-metal screws (not furnished), or provide 1/8" (3mm) toggle bolts or expansion bolts.

For partitions with particle-board or other solid core, secure with sheet-metal screws (not furnished), or provide through-bolts, nuts, and washers. For hollow-core metal partitions, provide solid backing into which the sheet-metal screws (not furnished) can be secured.

SPECIFICATION:

Coat Hook shall be type 303 machined solid stainless steel in satin finish or matte black, as specified. Coat Hook shall have 3/4" (20mm) diameter post with integrated 16mm diameter Hook Pin. Concealed mounting flange shall be 5/32" (4mm) thick machined solid stainless steel plate, 1-5/16" (34mm) diameter and equipped with two screw holes for attachment. Machined solid flange cover shall be 1/16" (2mm) thick stainless steel in satin finish or matte black, as specified, 1-5/16" (34mm) diameter. Set screw shall fasten the post to the flange and secures the flange cover.

Coat Hook shall be Model B-9542 of Bobrick Washroom Equipment, Inc., Clifton Park, New York; Jackson, Tennessee; Los Angeles, California; Bobrick Washroom Equipment Company, Scarborough, Ontario; Bobrick Washroom Equipment Pty. Ltd., Australia; and Bobrick Washroom Equipment Limited, United Kingdom.