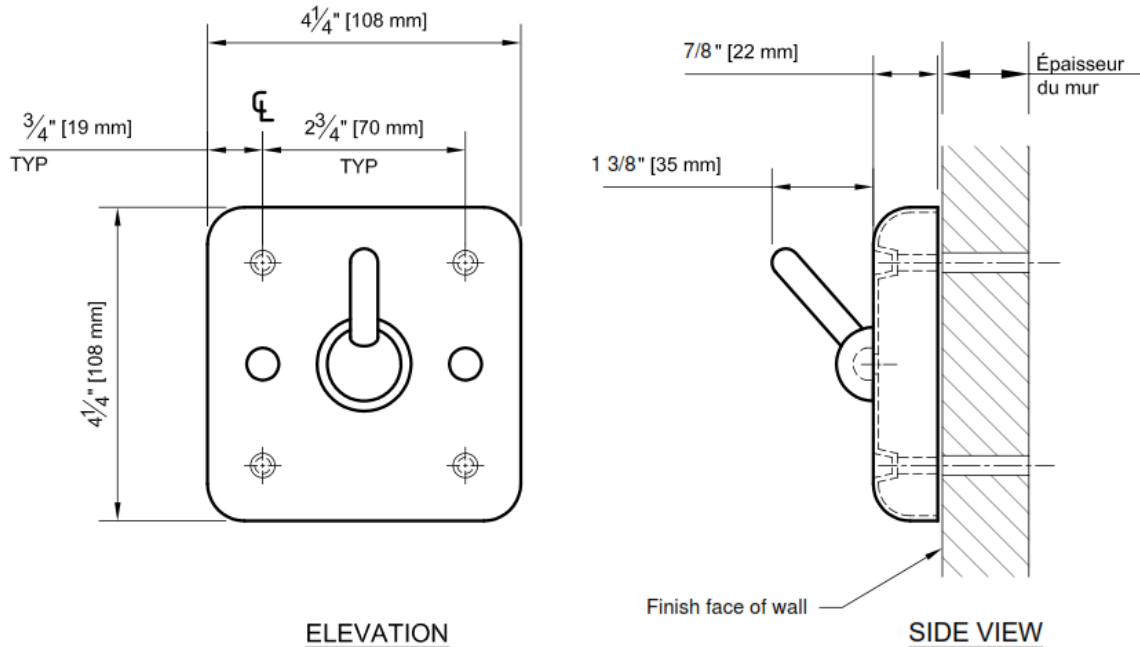




FICHE TECHNIQUE

SECURITY CLOTHES HOOK

200-123



SPECIFICATIONS

Security clothes hook shall be fabricated of type 304 stainless steel alloy 18-8. Hook shall be solid bar 3/8" diameter (10mm) of one-piece construction with 1" diameter (25mm) swivel trip-ball and wall plate shall be 14 gauge. Wall plate shall have four dimpled mounting holes for 1/4"-20 flat head screws (screws not included). Safety hook shall proceed down when load exceeds 35 pounds (16kg) limit. Trip-ball socket housing shall prevent hook from being set in vertical-up position. All exposed surfaces shall have N°4 satin finish.

INSTALLATION

Unit is front mounted to wall or partition using four 1/4"-20 x 2" (M6 x 50) flat head screws (screws not included) into suitable anchors (by others) or alternate wall preparation (by others). Anchors to be supplied by installer to sit wall condition. For compliance with ADA Accessibility Guidelines, install unit so the centerline of the hook is 48" (1219mm) maximum above finished floor.

OPERATION

Clothes hook is tensioned to release down when load exceeds 35 pounds (16kg) limit.