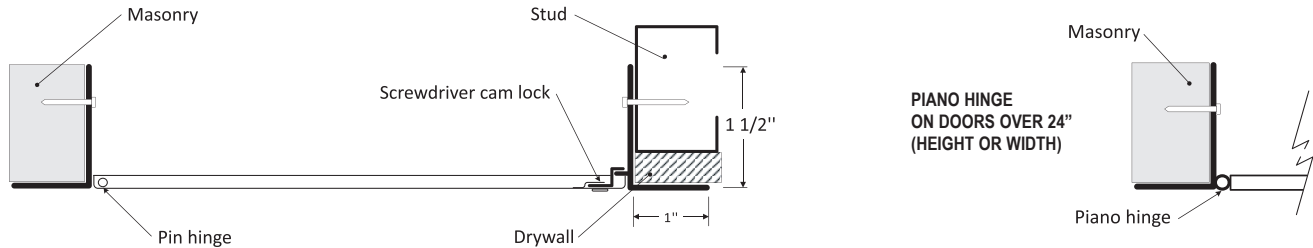


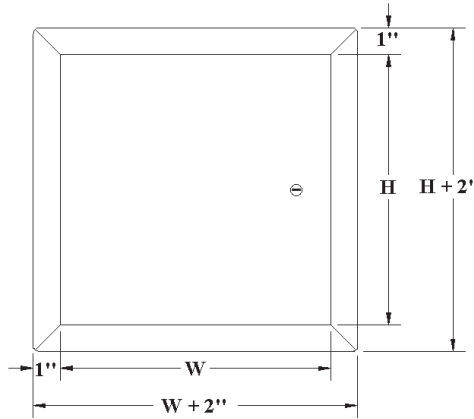
**GENERAL PURPOSE ACCESS DOOR**  
 FOR ALL SURFACE TYPES

**AHD**
**INSTALLATION**

**DIMENSIONS AND APPEARANCE**

LEED ready: This product contributes to LEED® credits.

 Your odd sizes:  
 Made in 5 days

DOOR SIZE W x H inches (MM)	NUMBER OF LOCKS	WEIGHT LBS	KG
6 x 6 (152 x 152)	1	2	0.9
8 x 8 (203 x 203)	1	3	1.4
8 x 12 (203 x 304)	1	4	1.8
10 x 10 (254 x 254)	1	4	1.8
12 x 12 (304 x 304)	1	5	2.3
12 x 16 (304 x 406)	1	6.2	2.8
12 x 18 (304 x 457)	1	7	3.2
12 x 24 (304 x 609)	1	8	3.6
14 x 14 (356 x 356)	1	7	3.2
16 x 16 (406 x 406)	1	8	3.6
18 x 18 (457 x 457)	1	9	4.1
18 x 24 (457 x 609)	1	13	5.9
20 x 20 (508 x 508)	1	11	5.
22 x 22 (558 x 558)	1	13	5.9
* 22 x 30 (558 x 762)	2	17	7.7
* 22 x 36 (558 x 914)	2	19	8.6
* 24 x 24 (609 x 609)	1	15	6.8
* 24 x 30 (609 x 762)	2	20	9.1
* 24 x 36 (609 x 914)	2	22	10
* 24 x 48 (609 x 1219)	2	28	12.7
* 30 x 30 (762 x 762)	4	23	12.7
* 36 x 36 (914 x 914)	4	31	14.1



Rough wall opening is door size + 1/4" or + 6mm

\*Piano hinge on doors over 24 inches (height or width) - The HHD model is recommended for over 1296 sq. inches

**DESCRIPTION AND MATERIAL SPECIFICATION**

**Material:** 16 gauge cold rolled steel  
**Hinge:** hidden pin hinge  
 continuous piano type on doors  
 over 24" (height or width)  
**Lock / latch:** screwdriver operated cam latch  
**Finish:** high quality white powder coat primer  
**Packaging:** individually wrapped, 1 per box

**POPULAR  
OPTIONS**

 For complete list of options  
 go to: [www.cendrex.com](http://www.cendrex.com)

**Lock / latch:** key operated cylinder cam latch,  
 hex head cam latch, pinned hex  
 head cam latch, handle operated cam latch,  
 mortise preparation for cylinder.

**Material:** stainless steel 304 #4 (brushed finish)

**Gasketing:** neoprene gasket

**CENDREX PARTNERS**

**PROJECT DATA**

PROJECT NAME:	QTY	W	H	OPTIONS
ARCHITECT:				
DEALER:				
CONTRACTOR:				
LOCATION:	SPECIAL INSTRUCTIONS:			
DATE:				
TAGGING INSTRUCTIONS:	SUBMITTAL APPROVAL: (signature or stamp)			

**HEAD OFFICE:** 11 303, 26th avenue, Montreal, Quebec, Canada H1E 6N6

**WAREHOUSES:** California, Colorado, Florida, Illinois, Pennsylvania, Texas

**Tel.:** 514 493-1489 - 1 800 479-1489

**Fax:** 514 493-1992 - 1 800 297-1489

[www.cendrex.com](http://www.cendrex.com)
[info@cendrex.com](mailto:info@cendrex.com)